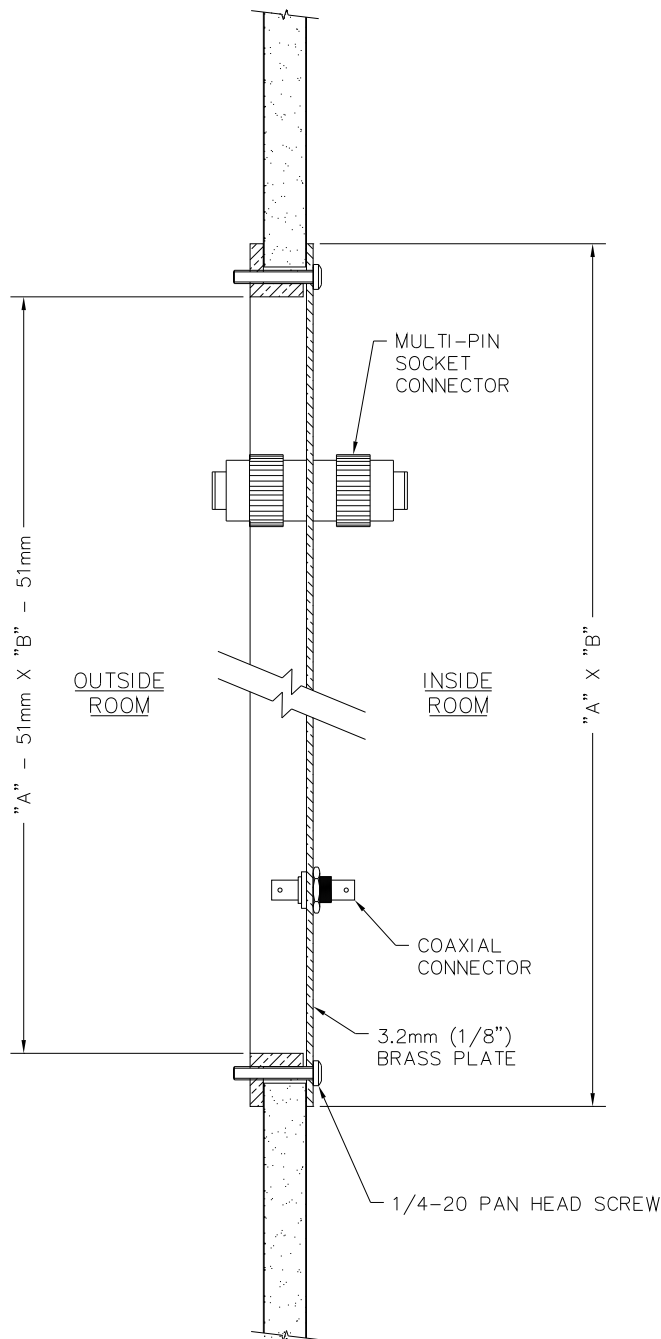


TYPICAL COAX CONNECTOR

CONNECTOR PART No.	TYPE	CAP PART No.
REMC-FT-N	N	REMC-CAP-N
REMC-FT-BNC	BNC	REMC-CAP-BNC
REMC-FT-TNC	TNC	REMC-CAP-TNC
REMC-FT-SMA	SMA	REMC-CAP-SMA

NOTE:
CONNECTORS CAN BE
FIELD LOCATED
AND INSTALLED



SET-UP PANEL PART No.	"A"	"B"	USEABLE SIZE
REMC-BH-300X300	300mm	300mm	249mm X 249mm
REMC-BH-300X450	300mm	450mm	249mm X 399mm
REMC-BH-450X450	450mm	450mm	399mm X 399mm
REMC-BH-450X600	450mm	600mm	399mm X 549mm
REMC-BH-600X600	600mm	600mm	549mm X 549mm
REMC-BH-600X750	600mm	750mm	549mm X 699mm
REMC-BH-750X750	750mm	750mm	699mm X 699mm

SET-UP PANELS AND CONNECTORS



DTL-13